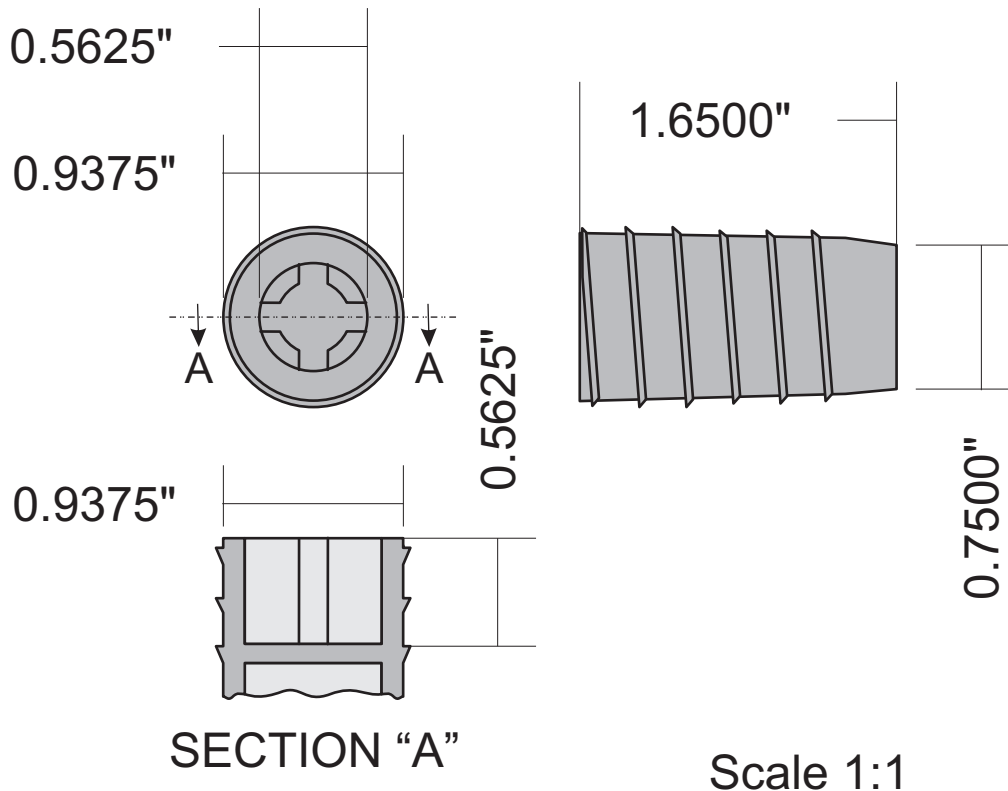




A Division of
SCOTT PLASTICS LTD
2065 Henry Ave West, Sidney
B.C., CANADA V8L 5Z6
T: (250) 656-8102
F: (250) 656-8126
1-800-214-0141
E-mail: replugs@scotty.com
www.scottyreplug.com

Type A13/14 Replug



The Scotty Replug is made from high density polyethylene with a UV inhibiting additive. The Replug is available in standard colors of Black, White and Yellow. Other colors available with minimum quantity orders, contact for details.

The Scotty A13/14 Replug was specifically designed for use in 13/16" (20.6 mm) to 7/8" (22.22 mm) diameter holes.

This device is a proprietary product and carries Canadian Patent No.2036797 and United States Patent No.5114032.

www.scottyreplug.com