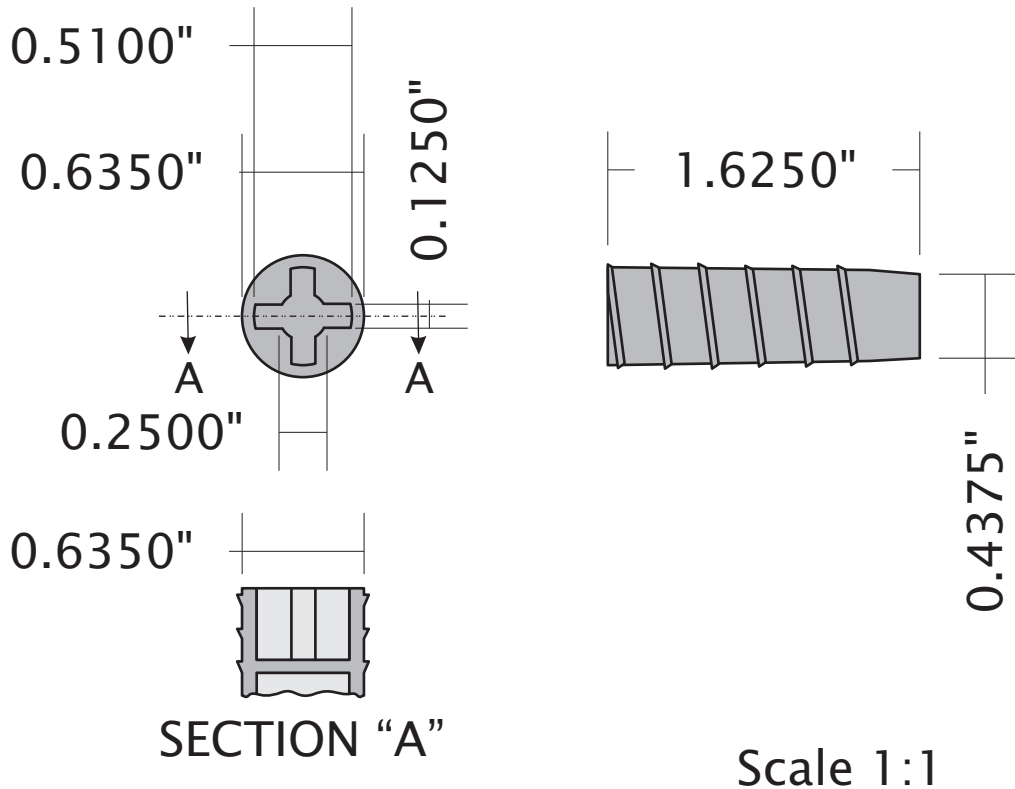




A Division of
SCOTT PLASTICS LTD
2065 Henry Ave West, Sidney
B.C., CANADA V8L 5Z6
T: (250) 656-8102
F: (250) 656-8126
1-800-214-0141
E-mail: replugs@scotty.com
www.scottyreplug.com

Type A9 Replug



The Replug is made from high density polyethylene with a UV inhibiting additive.

The A9 Type Replug was specifically designed for use in Pole Maintenance Programs for plugging 1/2" to 9/16" (12.7 mm to 14.3 mm) diameter holes.

This product is available in any colour when minimum quantities are ordered.

This device is a proprietary product and carries Canadian Patent No.2036797 and United States Patent No.5114032.